

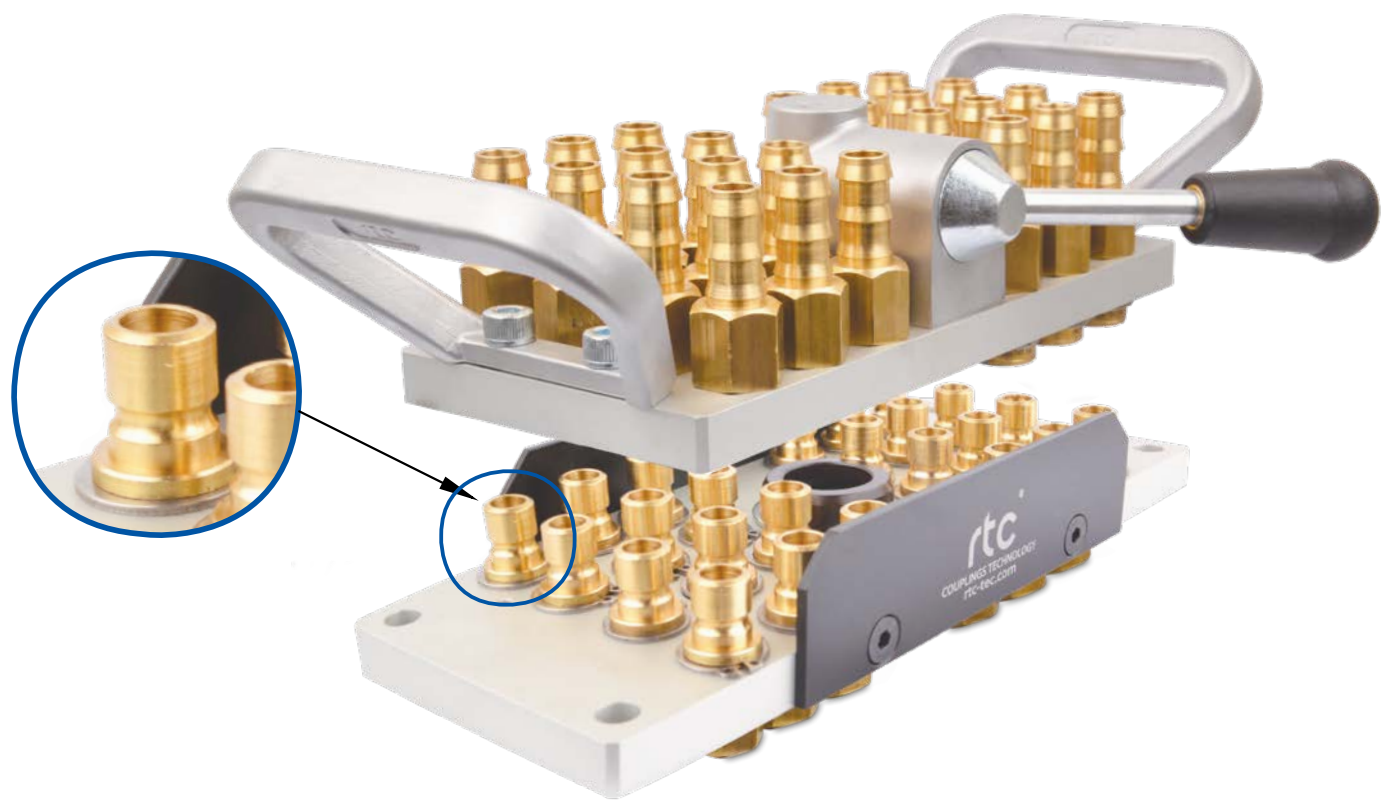
Water Multi Coupling For  
**International Plug Profile**

**rtc**<sup>®</sup>  
COUPLING TECHNOLOGY



# M099

rtc TYPE



rtc Multicoupling systems / rtc Multikupplungssysteme type M099



Type	Max. Working Pressure Max. Betriebsdruck	Flow size Nennweite	Connections Anschlüsse	Circuits Kreislauf
rtc M099.09	16 bar	09	6 / 8 / 10 / 12 / 16 / 20 / 24	3 / 4 / 5 / 6 / 8 / 10 / 12
<p>Temperature Range - Temperaturbereich</p> <p>For oil / bei Öl -10°C +200°C (+14°F +392°F) FPM (V)</p> <p>For water / bei Wasser -10°C +160°C (+14°F +320°F) FPM (V)</p>				



**Specification**

Connecting and disconnecting the circuits in one operation for quick mold change

Colour coded plates for circuit definition

**Eigenschaften**

Verbinden und Trennen von mehreren Kreisläufen in einem Arbeitsgang für das schnelle Rüsten

Kennzeichnung von Zu- und Rücklauf durch farbige Platten

**Applications**

Aluminium die casting

Test units

Plastics industry / cooling heating

**Anwendungen**

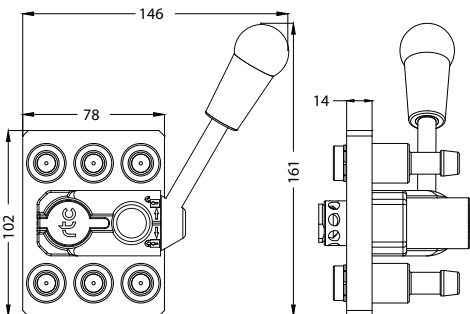
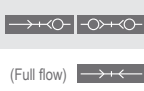

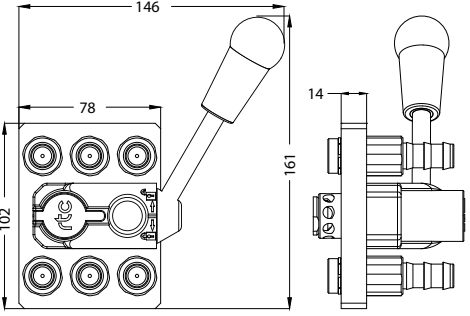
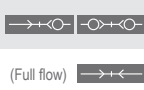

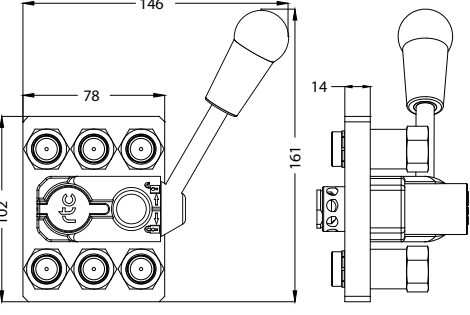
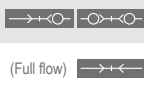

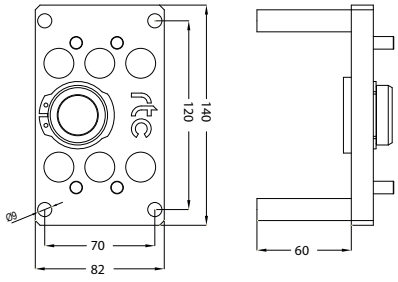
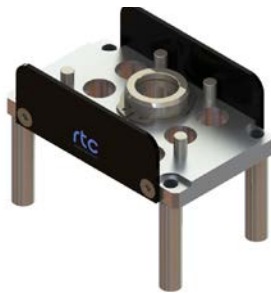
Aluminiumdruckguß

Prüfstände

Kunststoffindustrie / Mehrkreistemperierung / Kühlen Temperieren

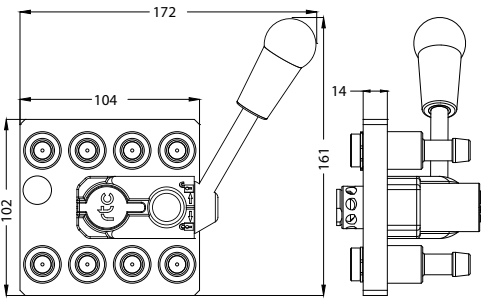









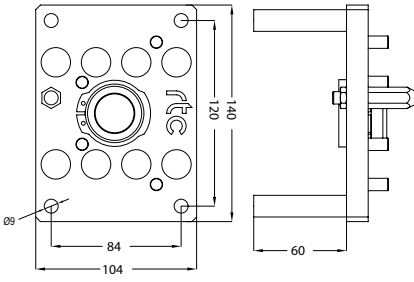

rtc TYPE M 099.09

Flow diameter 9 mm / Nennweite 9 mm

TYPE M 099.09	Mobile side / Versorgerseite		Item code / Artikelnummer
<p>3 ↔ 3</p> 	<p>Standard hose Schlauchanschluss</p> 	<p>Ø10 Ø12 (Full flow) Ø10 Ø12</p> 	<p>M 099.09-06 SHB 10 M 099.09-06 SHB 12 M 099.09-06 SHF 10 M 099.09-06 SHF 12</p>
<p>3 ↔ 3</p> 	<p>Push to connect Steckschlauchanschluss</p> 	<p>Ø10 Ø13 (Full flow) Ø10 Ø13</p> 	<p>M 099.09-06 SPB 10 M 099.09-06 SPB 13 M 099.09-06 SPF 10 M 099.09-06 SPF 13</p>
<p>3 ↔ 3</p> 	<p>Female thread Innengewinde</p> 	<p>BSP 3/8 NPT 3/8 (Full flow) BSP 3/8 NPT 3/8</p> 	<p>M 099.09-06 SFB 17 M 099.09-06 SNB 17 M 099.09-06 SFF 17 M 099.09-06 SNF 17</p>
TYPE K 099.09	Mould side / Abnehmerseite		Item code / Artikelnummer
<p>3 ↔ 3</p> 	<p>Plate for 6 lines / Platte für 6 Anschlüsse</p> 		<p>K 099.09-06</p>

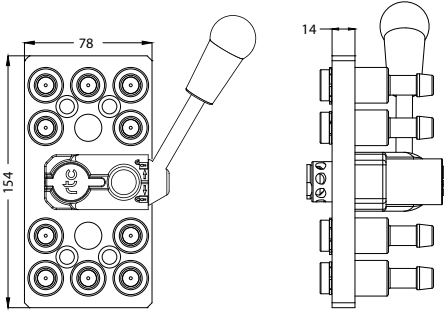

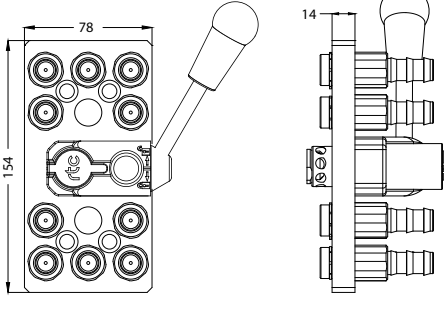

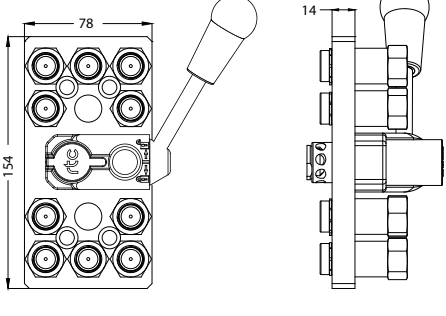

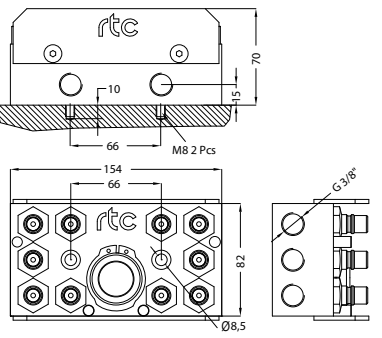

Flow diameter 9 mm / Nennweite 9 mm

TYPE M 099.09 **rtc**

TYPE M 099.09	Mobile side / Versorgerseite		Item code / Artikelnummer
<p>4 ↔ 4</p> 	<p>Standard hose Schlauchanschluss</p>  <p>(Full flow) </p>	<p>Ø10 Ø12 Ø10 Ø12</p> 	<p>M 099.09-08 SHB 10 M 099.09-08 SHB 12 M 099.09-08 SHF 10 M 099.09-08 SHF 12</p>
	<p>Push to connect Steckschlauchanschluss</p>  <p>(Full flow) </p>	<p>Ø10 Ø13 Ø10 Ø13</p> 	<p>M 099.09-08 SPB 10 M 099.09-08 SPB 13 M 099.09-08 SPF 10 M 099.09-08 SPF 13</p>
	<p>Female thread Innengewinde</p>  <p>(Full flow) </p>	<p>BSP 3/8 NPT 3/8 BSP 3/8 NPT 3/8</p> 	<p>M 099.09-08 SFB 17 M 099.09-08 SNB 17 M 099.09-08 SFF 17 M 099.09-08 SNF 17</p>
TYPE K 099.09	Mould side / Abnehmerseite		Item code / Artikelnummer
<p>4 ↔ 4</p> 	<p>Plate for 8 lines / Platte für 8 Anschlüsse</p> 		<p>K 099.09-08</p>

rtc TYPE M 099.09

Flow diameter 9 mm / Nennweite 9 mm

TYPE M 099.09	Mobile side / Versorgerseite	Item code / Artikelnummer								
<p>5 ↔ 5</p> 	<p>Standard hose Schlauchanschluss</p> 	<table border="1"> <tr> <td>Ø10</td> <td>M 099.09-10 SHB 10</td> </tr> <tr> <td>Ø12</td> <td>M 099.09-10 SHB 12</td> </tr> <tr> <td>Ø10</td> <td>M 099.09-10 SHF 10</td> </tr> <tr> <td>Ø12</td> <td>M 099.09-10 SHF 12</td> </tr> </table>	Ø10	M 099.09-10 SHB 10	Ø12	M 099.09-10 SHB 12	Ø10	M 099.09-10 SHF 10	Ø12	M 099.09-10 SHF 12
Ø10	M 099.09-10 SHB 10									
Ø12	M 099.09-10 SHB 12									
Ø10	M 099.09-10 SHF 10									
Ø12	M 099.09-10 SHF 12									
<p>5 ↔ 5</p> 	<p>Push to connect Steckschlauchanschluss</p> 	<table border="1"> <tr> <td>Ø10</td> <td>M 099.09-10 SPB 10</td> </tr> <tr> <td>Ø13</td> <td>M 099.09-10 SPB 13</td> </tr> <tr> <td>Ø10</td> <td>M 099.09-10 SPF 10</td> </tr> <tr> <td>Ø13</td> <td>M 099.09-10 SPF 13</td> </tr> </table>	Ø10	M 099.09-10 SPB 10	Ø13	M 099.09-10 SPB 13	Ø10	M 099.09-10 SPF 10	Ø13	M 099.09-10 SPF 13
Ø10	M 099.09-10 SPB 10									
Ø13	M 099.09-10 SPB 13									
Ø10	M 099.09-10 SPF 10									
Ø13	M 099.09-10 SPF 13									
<p>5 ↔ 5</p> 	<p>Female thread Innengewinde</p> 	<table border="1"> <tr> <td>BSP 3/8</td> <td>M 099.09-10 SFB 17</td> </tr> <tr> <td>NPT 3/8</td> <td>M 099.09-10 SNB 17</td> </tr> <tr> <td>BSP 3/8</td> <td>M 099.09-10 SFF 17</td> </tr> <tr> <td>NPT 3/8</td> <td>M 099.09-10 SNF 17</td> </tr> </table>	BSP 3/8	M 099.09-10 SFB 17	NPT 3/8	M 099.09-10 SNB 17	BSP 3/8	M 099.09-10 SFF 17	NPT 3/8	M 099.09-10 SNF 17
BSP 3/8	M 099.09-10 SFB 17									
NPT 3/8	M 099.09-10 SNB 17									
BSP 3/8	M 099.09-10 SFF 17									
NPT 3/8	M 099.09-10 SNF 17									
TYPE K 099.09	Mould side / Abnehmerseite	Item code / Artikelnummer								
<p>5 ↔ 5</p> 	<p>Plate with 10 plugs Platte mit 10 Anschlüsse</p> 	<table border="1"> <tr> <td>BSP 3/8</td> <td>K 099.09-10 PMB 17</td> </tr> <tr> <td>BSP 3/8</td> <td>K 099.09-10 PMF 17</td> </tr> </table>	BSP 3/8	K 099.09-10 PMB 17	BSP 3/8	K 099.09-10 PMF 17				
BSP 3/8	K 099.09-10 PMB 17									
BSP 3/8	K 099.09-10 PMF 17									

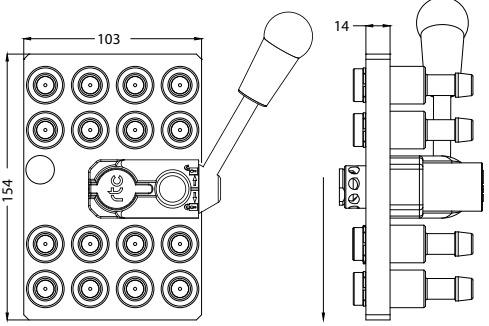
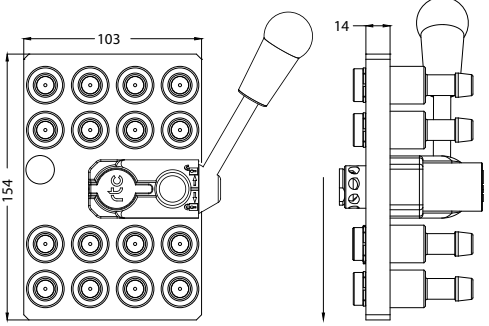

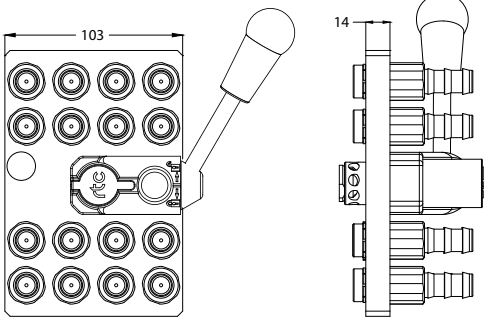

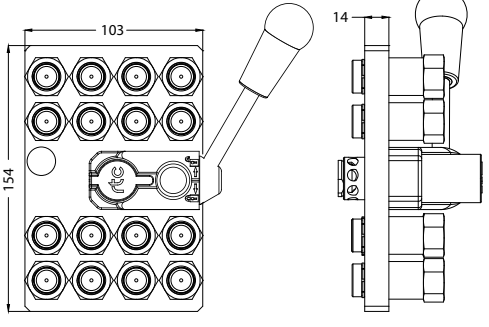

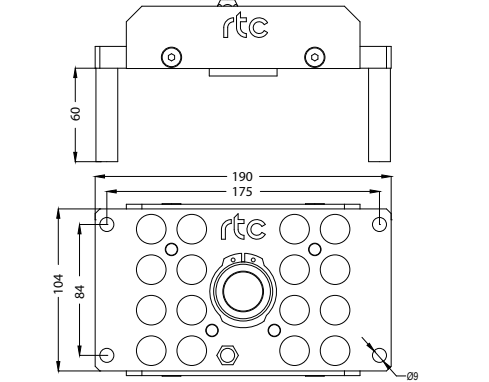

Flow diameter 9 mm / Nennweite 9 mm

TYPE M 099.09 **rtc**

TYPE M 099.09	Mobile side / Versorgerseite		Item code / Artikelnummer	
<p>6 ↔ 6</p>			<p>Standard hose Schlauchanschluss</p> <p>Ø10 Ø12 Ø10 Ø12</p>	<p>M 099.09-12 SHB 10 M 099.09-12 SHB 12 M 099.09-12 SHF 10 M 099.09-12 SHF 12</p>
			<p>Push to connect Steckschlauchanschluss</p> <p>Ø10 Ø13 Ø10 Ø13</p>	<p>M 099.09-12 SPB 10 M 099.09-12 SPB 13 M 099.09-12 SPF 10 M 099.09-12 SPF 13</p>
			<p>Female thread Innengewinde</p> <p>BSP 3/8 NPT 3/8 BSP 3/8 NPT 3/8</p>	<p>M 099.09-12 SFB 17 M 099.09-12 SNB 17 M 099.09-12 SFF 17 M 099.09-12 SNF 17</p>
			<p>Female thread collector Innengewinde Sammler</p> <p>BSP 1 NPT 1</p>	<p>M 099.09-12 C 33 M 099.09-12 CN 33</p>
	<p>TYPE K 099.09</p> <p>6 ↔ 6</p>	<p>Mould side / Abnehmerseite</p>		<p>Item code / Artikelnummer</p>
	<p>K 099.09-12 AD</p>		<p>Plate for 12 lines / Platte mit 12 Anschlüsse</p>	<p>K 099.09-12</p>

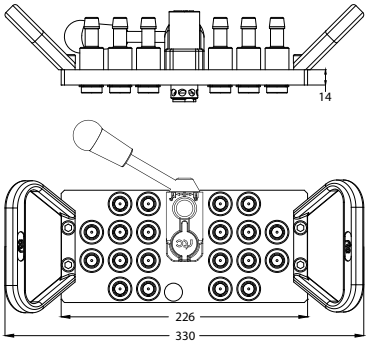
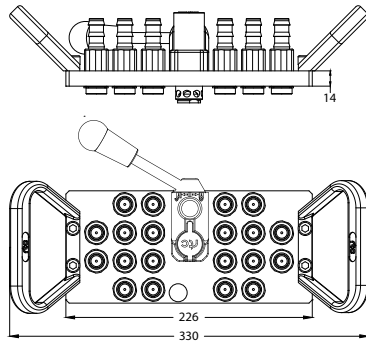
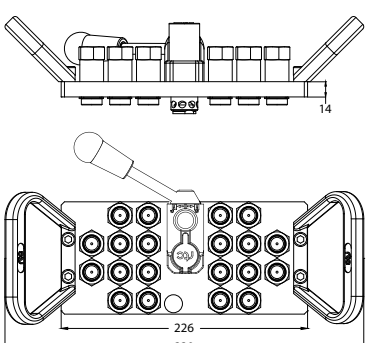
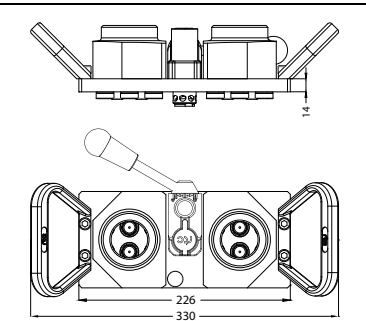











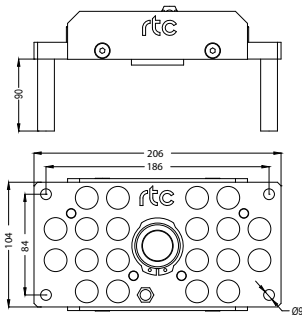
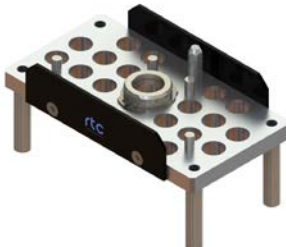
rtc TYPE M 099.09

Flow diameter 9 mm / Nennweite 9 mm

TYPE M 099.09	Mobile side / Versorgerseite	Item code / Artikelnummer												
<p>8 ↔ 8</p> 	<p>Standard hose Schlauchanschluss</p> 	<table border="1"> <tr> <td></td> <td>Ø10</td> <td>M 099.09-16 SHB 10</td> </tr> <tr> <td></td> <td>Ø12</td> <td>M 099.09-16 SHB 12</td> </tr> <tr> <td>(Full flow) </td> <td>Ø10</td> <td>M 099.09-16 SHF 10</td> </tr> <tr> <td></td> <td>Ø12</td> <td>M 099.09-16 SHF 12</td> </tr> </table> 		Ø10	M 099.09-16 SHB 10		Ø12	M 099.09-16 SHB 12	(Full flow)	Ø10	M 099.09-16 SHF 10		Ø12	M 099.09-16 SHF 12
		Ø10	M 099.09-16 SHB 10											
		Ø12	M 099.09-16 SHB 12											
(Full flow)	Ø10	M 099.09-16 SHF 10												
	Ø12	M 099.09-16 SHF 12												
<p>Push to connect Steckschlauchanschluss</p> 	<table border="1"> <tr> <td></td> <td>Ø10</td> <td>M 099.09-16 SPB 10</td> </tr> <tr> <td></td> <td>Ø13</td> <td>M 099.09-16 SPB 13</td> </tr> <tr> <td>(Full flow) </td> <td>Ø10</td> <td>M 099.09-16 SPF 10</td> </tr> <tr> <td></td> <td>Ø13</td> <td>M 099.09-16 SPF 13</td> </tr> </table> 		Ø10	M 099.09-16 SPB 10		Ø13	M 099.09-16 SPB 13	(Full flow)	Ø10	M 099.09-16 SPF 10		Ø13	M 099.09-16 SPF 13	
	Ø10	M 099.09-16 SPB 10												
	Ø13	M 099.09-16 SPB 13												
(Full flow)	Ø10	M 099.09-16 SPF 10												
	Ø13	M 099.09-16 SPF 13												
<p>Female thread Innengewinde</p> 	<table border="1"> <tr> <td></td> <td>BSP 3/8</td> <td>M 099.09-16 SFB 17</td> </tr> <tr> <td></td> <td>NPT 3/8</td> <td>M 099.09-16 SNB 17</td> </tr> <tr> <td>(Full flow) </td> <td>BSP 3/8</td> <td>M 099.09-16 SFF 17</td> </tr> <tr> <td></td> <td>NPT 3/8</td> <td>M 099.09-16 SNF 17</td> </tr> </table> 		BSP 3/8	M 099.09-16 SFB 17		NPT 3/8	M 099.09-16 SNB 17	(Full flow)	BSP 3/8	M 099.09-16 SFF 17		NPT 3/8	M 099.09-16 SNF 17	
	BSP 3/8	M 099.09-16 SFB 17												
	NPT 3/8	M 099.09-16 SNB 17												
(Full flow)	BSP 3/8	M 099.09-16 SFF 17												
	NPT 3/8	M 099.09-16 SNF 17												
TYPE K 099.09	Mould side / Abnehmerseite	Item code / Artikelnummer												
<p>8 ↔ 8</p> 	<p>Plate for 16 lines / Platte für 16 Anschlüsse</p> 	<p>K 099.09-16</p>												

Flow diameter 9 mm / Nennweite 9 mm

TYPE M 099.09 **rtc**

TYPE M 099.09	Mobile side / Versorgerseite		Item code / Artikelnummer
<p>10 ← → 10</p>    	<p>Standard hose Schlauchanschluss</p>  <p>(Full flow) </p>	<p>Ø10 Ø12 Ø10 Ø12</p>	<p>M 099.09-20 SHB 10 M 099.09-20 SHB 12 M 099.09-20 SHF 10 M 099.09-20 SHF 12</p> 
	<p>Push to connect Steckschlauchanschluss</p>  <p>(Full flow) </p>	<p>Ø10 Ø13 Ø10 Ø13</p>	<p>M 099.09-20 SPB 10 M 099.09-20 SPB 13 M 099.09-20 SPF 10 M 099.09-20 SPF 13</p> 
	<p>Female thread Innengewinde</p>  <p>(Full flow) </p>	<p>BSP 3/8 NPT 3/8 BSP 3/8 NPT 3/8</p>	<p>M 099.09-20 SFB 17 M 099.09-20 SNB 17 M 099.09-20 SFF 17 M 099.09-20 SNF 17</p> 
	<p>Female thread collector Innengewinde Sammler</p> 	<p>BSP 1.1/4 NPT 1.1/4</p>	<p>M 099.09-20 C 42 M 099.09-20 CN 42</p> 
<p>TYPE K 099.09</p> <p>10 ← → 10</p> 	<p>Plate for 20 lines / Platte für 20 Anschlüsse</p> 		<p>Item code / Artikelnummer K 099.09-20</p>



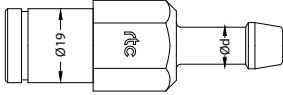


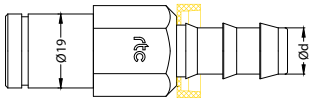


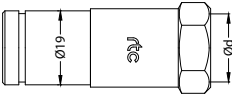
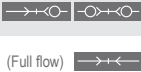

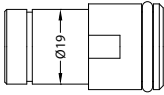

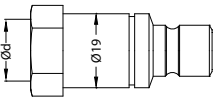
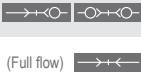

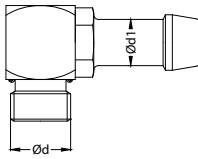
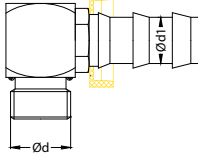
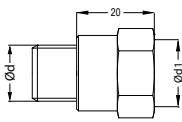
rtc TYPE M 099.09

Flow diameter 9 mm / Nennweite 9 mm

TYPE M 099.09	Mobile side / Versorgerseite	Item code / Artikelnummer									
<p>12 ↔ 12</p>		<p>Standard hose Schlauchanschluss</p>	<table border="1"> <tr> <td>Ø10</td> <td>M 099.09-24 SHB 10</td> </tr> <tr> <td>Ø12</td> <td>M 099.09-24 SHB 12</td> </tr> <tr> <td>Ø10 (Full flow)</td> <td>M 099.09-24 SHF 10</td> </tr> <tr> <td>Ø12</td> <td>M 099.09-24 SHF 12</td> </tr> </table>	Ø10	M 099.09-24 SHB 10	Ø12	M 099.09-24 SHB 12	Ø10 (Full flow)	M 099.09-24 SHF 10	Ø12	M 099.09-24 SHF 12
	Ø10	M 099.09-24 SHB 10									
	Ø12	M 099.09-24 SHB 12									
	Ø10 (Full flow)	M 099.09-24 SHF 10									
Ø12	M 099.09-24 SHF 12										
	<p>Push to connect Steckschlauchanschluss</p>	<table border="1"> <tr> <td>Ø10</td> <td>M 099.09-24 SPB 10</td> </tr> <tr> <td>Ø13</td> <td>M 099.09-24 SPB 13</td> </tr> <tr> <td>Ø10 (Full flow)</td> <td>M 099.09-24 SPF 10</td> </tr> <tr> <td>Ø13</td> <td>M 099.09-24 SPF 13</td> </tr> </table>	Ø10	M 099.09-24 SPB 10	Ø13	M 099.09-24 SPB 13	Ø10 (Full flow)	M 099.09-24 SPF 10	Ø13	M 099.09-24 SPF 13	
Ø10	M 099.09-24 SPB 10										
Ø13	M 099.09-24 SPB 13										
Ø10 (Full flow)	M 099.09-24 SPF 10										
Ø13	M 099.09-24 SPF 13										
	<p>Female thread Innengewinde</p>	<table border="1"> <tr> <td>BSP 3/8</td> <td>M 099.09-24 SFB 17</td> </tr> <tr> <td>NPT 3/8</td> <td>M 099.09-24 SNB 17</td> </tr> <tr> <td>BSP 3/8 (Full flow)</td> <td>M 099.09-24 SFF 17</td> </tr> <tr> <td>NPT 3/8</td> <td>M 099.09-24 SNF 17</td> </tr> </table>	BSP 3/8	M 099.09-24 SFB 17	NPT 3/8	M 099.09-24 SNB 17	BSP 3/8 (Full flow)	M 099.09-24 SFF 17	NPT 3/8	M 099.09-24 SNF 17	
BSP 3/8	M 099.09-24 SFB 17										
NPT 3/8	M 099.09-24 SNB 17										
BSP 3/8 (Full flow)	M 099.09-24 SFF 17										
NPT 3/8	M 099.09-24 SNF 17										
	<p>Female thread collector Innengewinde Sammler</p>	<table border="1"> <tr> <td>BSP 1-1/4</td> <td>M 099.09-24 C 42</td> </tr> <tr> <td>NPT 1-1/4</td> <td>M 099.09-24 CN 42</td> </tr> </table>	BSP 1-1/4	M 099.09-24 C 42	NPT 1-1/4	M 099.09-24 CN 42					
BSP 1-1/4	M 099.09-24 C 42										
NPT 1-1/4	M 099.09-24 CN 42										
<p>12 ↔ 12</p>	<p>TYPE K 099.09</p> <p>Mould side / Abnehmerseite</p>	<p>Plate for 24 lines / Platte für 24 Anschlüsse</p> <p>Item code / Artikelnummer</p> <p>K 099.09-24</p>									

Flow diameter 9 mm / Nennweite 9 mm

TYPE M 099.09 **rtc**

TYPE M 099.09	Sockets / Kupplungen	Connection / Anschluss	Item code / Artikelnummer	
	Standard hose Schlauchanschluss	 Ø10 Ø12 (Full flow)  Ø10 Ø12	M 099.09 SHB 10 M 099.09 SHB 12 M 099.09 SHF 10 M 099.09 SHF 12	
		Push to connect Steckschlauchanschluss	 Ø10 Ø13 (Full flow)  Ø10 Ø13	M 099.09 SPB 10 M 099.09 SPB 13 M 099.09 SPF 10 M 099.09 SPF 13
		Female thread Innengewinde	 BSP 3/8 NPT 3/8 (Full flow)  BSP 3/8 NPT 3/8	M 099.09 SFB 17 M 099.09 SNB 17 M 099.09 SFF 17 M 099.09 SNF 17
		For collector Für Sammler		M 099.09 SAB 00
TYPE M 099.09	Plugs / Nippel	Connection / Anschluss	Item code / Artikelnummer	
	Female thread Innengewinde	 BSP 3/8 NPT 3/8 (Full flow)  BSP 3/8 NPT 3/8	M 099.09 PFB 17 M 099.09 PNB 17 M 099.09 PFF 17 M 099.09 PNF 17	
TYPE M 099.09	Adapters elbow / Adapter Winkel	Connection / Anschluss	Item code / Artikelnummer	
	Standard hose Schlauchanschluss	BSP 3/8 → Ø10 Ø12 NPT 3/8 → Ø10 Ø12	EBH 17/10-90 EBH 17/12-90 EBH 17T/10-90 EBH 17T/12-90	
		Push to connect Steckschlauchanschluss	BSP 3/8 → Ø10 Ø13 NPT 3/8 → Ø10 Ø13	EBP 17/10-90 EBP 17/13-90 EBP 17T/10-90 EBP 17T/13-90
		<p><b>TE 17-20</b>                      BSP 3/8" Male (Ød) - BSP 3/8" Female (Ød1) Extension                      BSP 3/8" Aussengewinde (Ød) - BSP 3/8" Innengewinde (Ød1) Verlängerung</p> <p><b>TE 17-17N-20</b>                      BSP 3/8" Male (Ød) - NPT 3/8" Female (Ød1) Extension                      BSP 3/8" Aussengewinde (Ød) - NPT 3/8" Innengewinde (Ød1) Verlängerung</p> <p><b>TE 17T-17N-20</b>                      NPT 3/8" Male (Ød) - NPT 3/8" Female (Ød1) Extension                      NPT 3/8" Aussengewinde (Ød) - NPT 3/8" Innengewinde (Ød1) Verlängerung</p>		