

Water Multi Coupling For
European Plug Profile

rtc[®]
COUPLING TECHNOLOGY



M090

rtc TYPE

rtc Multicoupling systems
rtc Multikupplungssysteme type M090



rtc Multicoupling systems / rtc Multikupplungssysteme type M090



Type	Max. Working Pressure Max. Betriebsdruck	Flow size Nennweite	Connections Anschlüsse	Circuits Kreislauf
rtc M090.09	16 bar	09	6 / 8 / 10 / 12 / 16 / 20 / 24	3 / 4 / 5 / 6 / 8 / 10 / 12
<p>Temperature Range - Temperaturbereich</p> <p>For oil / bei Öl -10°C +200°C (+14°F +392°F) FPM (V)</p> <p>For water / bei Wasser -10°C +160°C (+14°F +320°F) FPM (V)</p>				



Specification

Connecting and disconnecting the circuits in one operation for quick mold change

Colour coded plates for circuit definition

Eigenschaften

Verbinden und Trennen von mehreren Kreisläufen in einem Arbeitsgang für das schnelle Rüsten

Kennzeichnung von Zu- und Rücklauf durch farbige Platten

Applications

Aluminium die casting

Test units

Plastics industry / cooling heating

Anwendungen

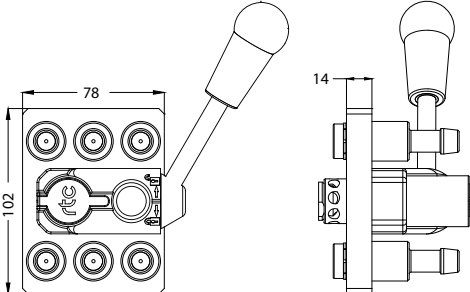
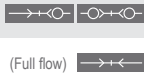

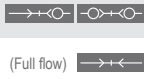

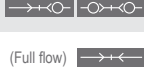

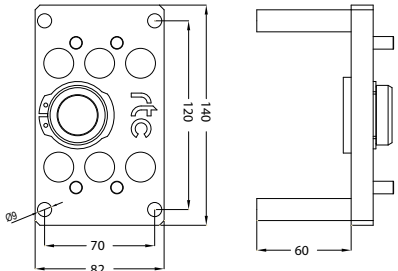
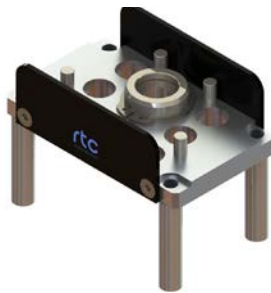
Aluminiumdruckguß

Prüfstände

Kunststoffindustrie / Mehrkreistemperierung / Kühlen Temperieren

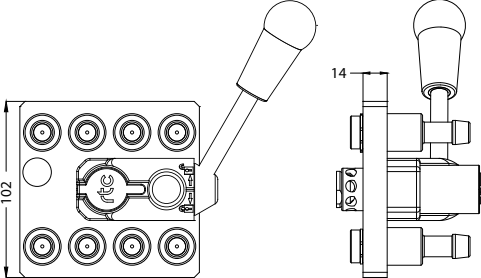
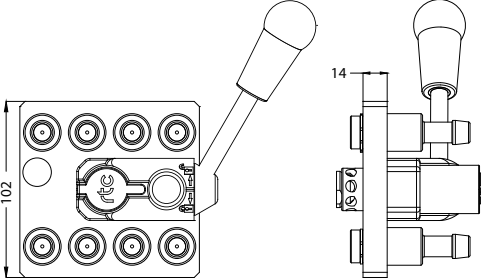



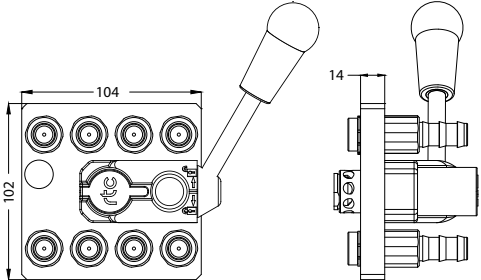



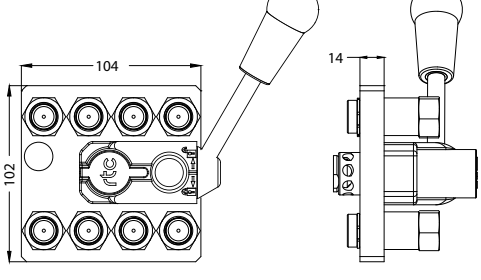



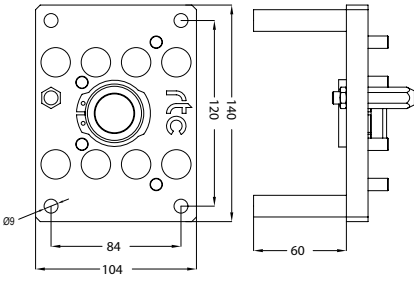

rtc TYPE M 090.09

Flow diameter 9 mm / Nennweite 9 mm

TYPE M 090.09	Mobile side / Versorgerseite		Item code / Artikelnummer
<p>3 ↔ 3</p> 	<p>Standard hose Schlauchanschluss</p> 	<p>Ø10 Ø12 Ø10 Ø12</p>	<p>M 090.09-06 SHB 10 M 090.09-06 SHB 12 M 090.09-06 SHF 10 M 090.09-06 SHF 12</p> 
	<p>Push to connect Steckschlauchanschluss</p> 	<p>Ø10 Ø13 Ø10 Ø13</p>	<p>M 090.09-06 SPB 10 M 090.09-06 SPB 13 M 090.09-06 SPF 10 M 090.09-06 SPF 13</p> 
	<p>Female thread Innengewinde</p> 	<p>BSP 3/8 NPT 3/8 BSP 3/8 NPT 3/8</p>	<p>M 090.09-06 SFB 17 M 090.09-06 SNB 17 M 090.09-06 SFF 17 M 090.09-06 SNF 17</p> 
TYPE K 090.09	Mould side / Abnehmerseite		Item code / Artikelnummer
<p>3 ↔ 3</p> 	<p>Plate for 6 lines / Platte für 6 Anschlüsse</p> 		<p>K 090.09-06</p>

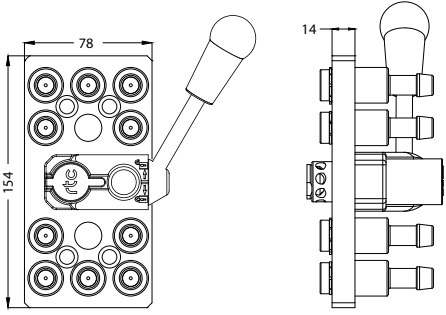

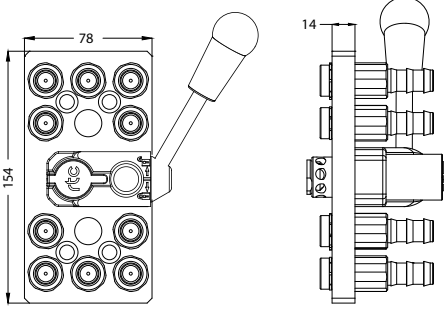

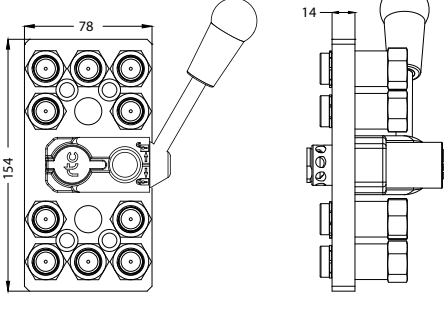

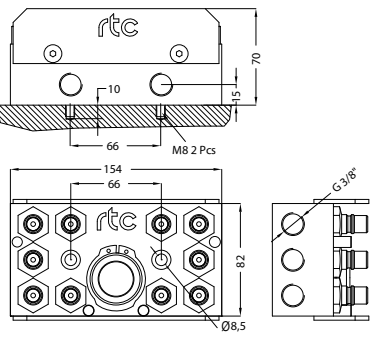

Flow diameter 9 mm / Nennweite 9 mm

TYPE M 090.09 **rtc**

TYPE M 090.09	Mobile side / Versorgerseite		Item code / Artikelnummer
<p>4 ↔ 4</p> 	<p>Standard hose Schlauchanschluss</p> 	 <p>Ø10 Ø12</p> <p>(Full flow) </p> <p>Ø10 Ø12</p> 	<p>M 090.09-08 SHB 10 M 090.09-08 SHB 12 M 090.09-08 SHF 10 M 090.09-08 SHF 12</p>
	<p>Push to connect Steckschlauchanschluss</p> 	 <p>Ø10 Ø13</p> <p>(Full flow) </p> <p>Ø10 Ø13</p> 	<p>M 090.09-08 SPB 10 M 090.09-08 SPB 13 M 090.09-08 SPF 10 M 090.09-08 SPF 13</p>
	<p>Female thread Innengewinde</p> 	 <p>BSP 3/8 NPT 3/8</p> <p>(Full flow) </p> <p>BSP 3/8 NPT 3/8</p> 	<p>M 090.09-08 SFB 17 M 090.09-08 SNB 17 M 090.09-08 SFF 17 M 090.09-08 SNF 17</p>
TYPE K 090.09	Mould side / Abnehmerseite		Item code / Artikelnummer
<p>4 ↔ 4</p> 	<p>Plate for 8 lines / Platte für 8 Anschlüsse</p> 		<p>K 090.09-08</p>

rtc TYPE M 090.09

Flow diameter 9 mm / Nennweite 9 mm

TYPE M 090.09	Mobile side / Versorgerseite	Item code / Artikelnummer												
<p>5 ↔ 5</p> 	<p>Standard hose Schlauchanschluss</p> 	<table border="1"> <tr> <td>→○←</td> <td>∅10</td> <td>M 090.09-10 SHB 10</td> </tr> <tr> <td>→○←</td> <td>∅12</td> <td>M 090.09-10 SHB 12</td> </tr> <tr> <td>(Full flow) →←</td> <td>∅10</td> <td>M 090.09-10 SHF 10</td> </tr> <tr> <td>(Full flow) →←</td> <td>∅12</td> <td>M 090.09-10 SHF 12</td> </tr> </table>	→○←	∅10	M 090.09-10 SHB 10	→○←	∅12	M 090.09-10 SHB 12	(Full flow) →←	∅10	M 090.09-10 SHF 10	(Full flow) →←	∅12	M 090.09-10 SHF 12
→○←	∅10	M 090.09-10 SHB 10												
→○←	∅12	M 090.09-10 SHB 12												
(Full flow) →←	∅10	M 090.09-10 SHF 10												
(Full flow) →←	∅12	M 090.09-10 SHF 12												
<p>5 ↔ 5</p> 	<p>Push to connect Steckschlauchanschluss</p> 	<table border="1"> <tr> <td>→○←</td> <td>∅10</td> <td>M 090.09-10 SPB 10</td> </tr> <tr> <td>→○←</td> <td>∅13</td> <td>M 090.09-10 SPB 13</td> </tr> <tr> <td>(Full flow) →←</td> <td>∅10</td> <td>M 090.09-10 SPF 10</td> </tr> <tr> <td>(Full flow) →←</td> <td>∅13</td> <td>M 090.09-10 SPF 13</td> </tr> </table>	→○←	∅10	M 090.09-10 SPB 10	→○←	∅13	M 090.09-10 SPB 13	(Full flow) →←	∅10	M 090.09-10 SPF 10	(Full flow) →←	∅13	M 090.09-10 SPF 13
→○←	∅10	M 090.09-10 SPB 10												
→○←	∅13	M 090.09-10 SPB 13												
(Full flow) →←	∅10	M 090.09-10 SPF 10												
(Full flow) →←	∅13	M 090.09-10 SPF 13												
<p>5 ↔ 5</p> 	<p>Female thread Innengewinde</p> 	<table border="1"> <tr> <td>→○←</td> <td>BSP 3/8</td> <td>M 090.09-10 SFB 17</td> </tr> <tr> <td>→○←</td> <td>NPT 3/8</td> <td>M 090.09-10 SNB 17</td> </tr> <tr> <td>(Full flow) →←</td> <td>BSP 3/8</td> <td>M 090.09-10 SFF 17</td> </tr> <tr> <td>(Full flow) →←</td> <td>NPT 3/8</td> <td>M 090.09-10 SNF 17</td> </tr> </table>	→○←	BSP 3/8	M 090.09-10 SFB 17	→○←	NPT 3/8	M 090.09-10 SNB 17	(Full flow) →←	BSP 3/8	M 090.09-10 SFF 17	(Full flow) →←	NPT 3/8	M 090.09-10 SNF 17
→○←	BSP 3/8	M 090.09-10 SFB 17												
→○←	NPT 3/8	M 090.09-10 SNB 17												
(Full flow) →←	BSP 3/8	M 090.09-10 SFF 17												
(Full flow) →←	NPT 3/8	M 090.09-10 SNF 17												
TYPE K 090.09	Mould side / Abnehmerseite	Item code / Artikelnummer												
<p>5 ↔ 5</p> 	<p>Plate with 10 plugs Platte mit 10 Anschlüsse</p> 	<table border="1"> <tr> <td>→○←</td> <td>BSP 3/8</td> <td>K 090.09-10 PMB 17</td> </tr> <tr> <td>(Full flow) →←</td> <td>BSP 3/8</td> <td>K 090.09-10 PMF 17</td> </tr> </table>	→○←	BSP 3/8	K 090.09-10 PMB 17	(Full flow) →←	BSP 3/8	K 090.09-10 PMF 17						
→○←	BSP 3/8	K 090.09-10 PMB 17												
(Full flow) →←	BSP 3/8	K 090.09-10 PMF 17												

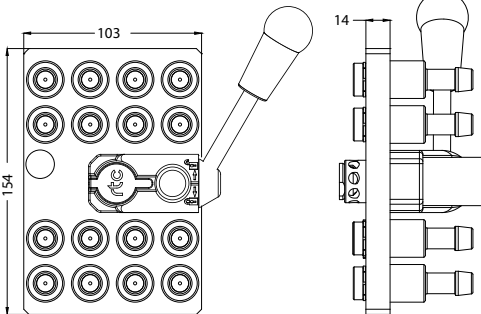

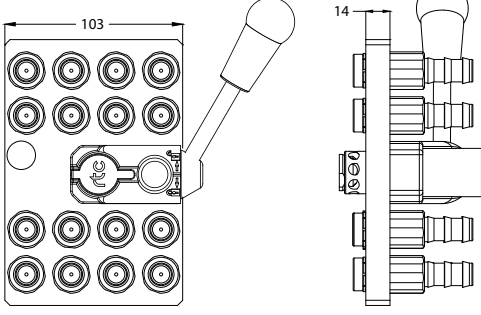

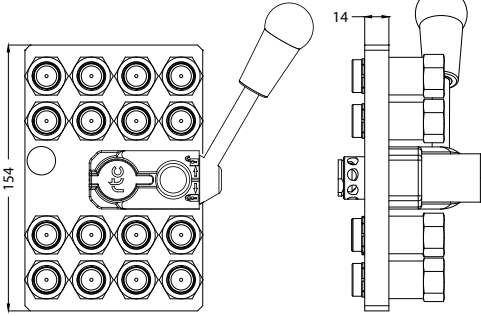

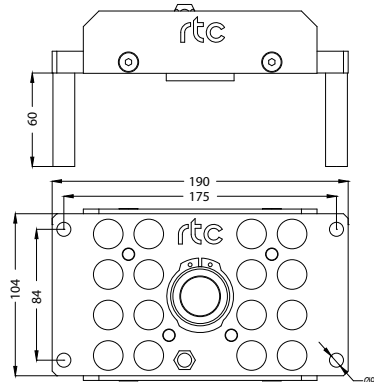

Flow diameter 9 mm / Nennweite 9 mm

TYPE M 090.09 **rtc**

TYPE M 090.09	Mobile side / Versorgerseite		Item code / Artikelnummer	
<p>6 ↔ 6</p>			<p>Standard hose Schlauchanschluss</p> <p>Ø10 Ø12 Ø10 Ø12</p>	<p>M 090.09-12 SHB 10 M 090.09-12 SHB 12 M 090.09-12 SHF 10 M 090.09-12 SHF 12</p>
			<p>Push to connect Steckschlauchanschluss</p> <p>Ø10 Ø13 Ø10 Ø13</p>	<p>M 090.09-12 SPB 10 M 090.09-12 SPB 13 M 090.09-12 SPF 10 M 090.09-12 SPF 13</p>
			<p>Female thread Innengewinde</p> <p>BSP 3/8 NPT 3/8 BSP 3/8 NPT 3/8</p>	<p>M 090.09-12 SFB 17 M 090.09-12 SNB 17 M 090.09-12 SFF 17 M 090.09-12 SNF 17</p>
			<p>Female thread collector Innengewinde Sammler</p> <p>BSP 1 NPT 1 BSP 1 NPT 1</p>	<p>M 090.09-12 C 33 M 090.09-12 CN 33</p>
	<p>TYPE K 090.09</p> <p>6 ↔ 6</p>	<p>Mould side / Abnehmerseite</p>		<p>Item code / Artikelnummer</p>
	<p>K 090.09-12 AD</p>	<p>Plate for 12 lines / Platte mit 12 Anschlüsse</p>	<p>K 090.09-12</p>	

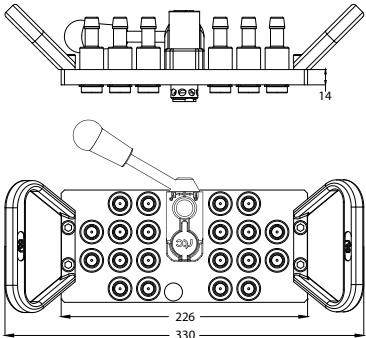







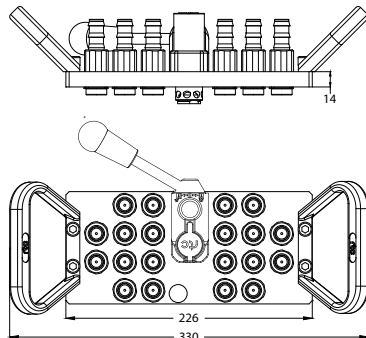







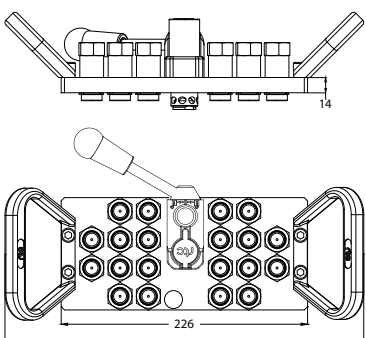







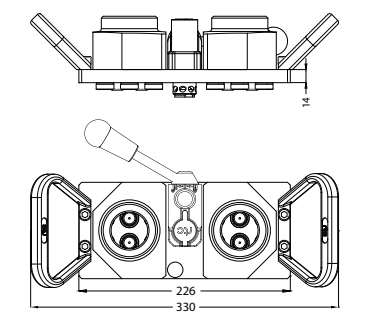

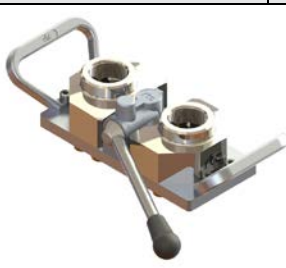


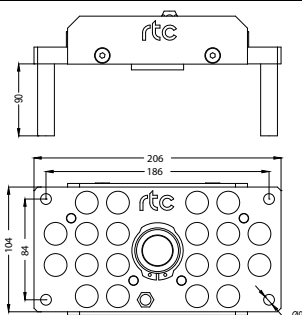

rtc TYPE M 090.09

Flow diameter 9 mm / Nennweite 9 mm

TYPE M 090.09	Mobile side / Versorgerseite	Item code / Artikelnummer												
<p>8 ← → 8</p>	<p>Standard hose Schlauchanschluss</p> 	<table border="1"> <tr> <td>→←○ ○→←</td> <td>Ø10</td> <td>M 090.09-16 SHB 10</td> </tr> <tr> <td>→←○ ○→←</td> <td>Ø12</td> <td>M 090.09-16 SHB 12</td> </tr> <tr> <td>(Full flow) →←</td> <td>Ø10</td> <td>M 090.09-16 SHF 10</td> </tr> <tr> <td>(Full flow) →←</td> <td>Ø12</td> <td>M 090.09-16 SHF 12</td> </tr> </table> 	→←○ ○→←	Ø10	M 090.09-16 SHB 10	→←○ ○→←	Ø12	M 090.09-16 SHB 12	(Full flow) →←	Ø10	M 090.09-16 SHF 10	(Full flow) →←	Ø12	M 090.09-16 SHF 12
	→←○ ○→←	Ø10	M 090.09-16 SHB 10											
	→←○ ○→←	Ø12	M 090.09-16 SHB 12											
(Full flow) →←	Ø10	M 090.09-16 SHF 10												
(Full flow) →←	Ø12	M 090.09-16 SHF 12												
<p>Push to connect Steckschlauchanschluss</p> 	<table border="1"> <tr> <td>→←○ ○→←</td> <td>Ø10</td> <td>M 090.09-16 SPB 10</td> </tr> <tr> <td>→←○ ○→←</td> <td>Ø13</td> <td>M 090.09-16 SPB 13</td> </tr> <tr> <td>(Full flow) →←</td> <td>Ø10</td> <td>M 090.09-16 SPF 10</td> </tr> <tr> <td>(Full flow) →←</td> <td>Ø13</td> <td>M 090.09-16 SPF 13</td> </tr> </table> 	→←○ ○→←	Ø10	M 090.09-16 SPB 10	→←○ ○→←	Ø13	M 090.09-16 SPB 13	(Full flow) →←	Ø10	M 090.09-16 SPF 10	(Full flow) →←	Ø13	M 090.09-16 SPF 13	
→←○ ○→←	Ø10	M 090.09-16 SPB 10												
→←○ ○→←	Ø13	M 090.09-16 SPB 13												
(Full flow) →←	Ø10	M 090.09-16 SPF 10												
(Full flow) →←	Ø13	M 090.09-16 SPF 13												
<p>Female thread Innengewinde</p> 	<table border="1"> <tr> <td>→←○ ○→←</td> <td>BSP 3/8</td> <td>M 090.09-16 SFB 17</td> </tr> <tr> <td>→←○ ○→←</td> <td>NPT 3/8</td> <td>M 090.09-16 SNB 17</td> </tr> <tr> <td>(Full flow) →←</td> <td>BSP 3/8</td> <td>M 090.09-16 SFF 17</td> </tr> <tr> <td>(Full flow) →←</td> <td>NPT 3/8</td> <td>M 090.09-16 SNF 17</td> </tr> </table> 	→←○ ○→←	BSP 3/8	M 090.09-16 SFB 17	→←○ ○→←	NPT 3/8	M 090.09-16 SNB 17	(Full flow) →←	BSP 3/8	M 090.09-16 SFF 17	(Full flow) →←	NPT 3/8	M 090.09-16 SNF 17	
→←○ ○→←	BSP 3/8	M 090.09-16 SFB 17												
→←○ ○→←	NPT 3/8	M 090.09-16 SNB 17												
(Full flow) →←	BSP 3/8	M 090.09-16 SFF 17												
(Full flow) →←	NPT 3/8	M 090.09-16 SNF 17												
<p>TYPE K 090.09</p> <p>8 ← → 8</p>	<p>Mould side / Abnehmerseite</p> <p>Plate for 16 lines / Platte für 16 Anschlüsse</p> 	<p>Item code / Artikelnummer</p> <p>K 090.09-16</p> 												

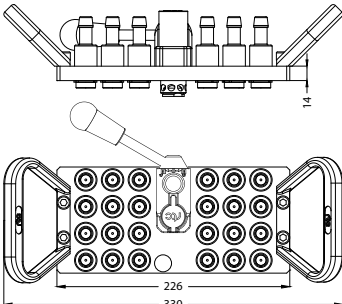


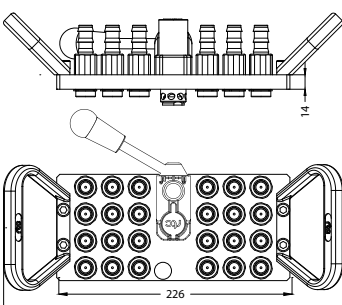
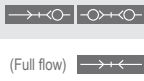

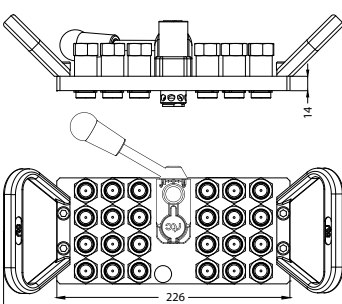


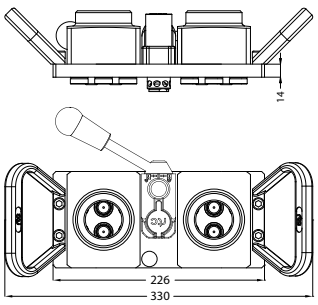


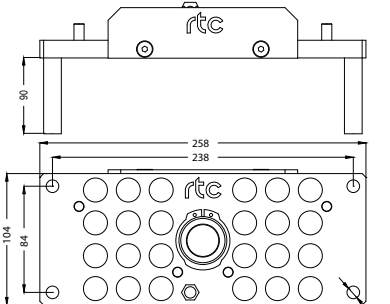

Flow diameter 9 mm / Nennweite 9 mm

TYPE M 090.09 **rtc**

TYPE M 090.09	Mobile side / Versorgerseite	Item code / Artikelnummer												
<p>10 ← → 10</p>	<p>Standard hose Schlauchanschluss</p> 	<table border="1"> <tr> <td></td> <td>Ø10</td> <td>M 090.09-20 SHB 10</td> </tr> <tr> <td></td> <td>Ø12</td> <td>M 090.09-20 SHB 12</td> </tr> <tr> <td>(Full flow) </td> <td>Ø10</td> <td>M 090.09-20 SHF 10</td> </tr> <tr> <td></td> <td>Ø12</td> <td>M 090.09-20 SHF 12</td> </tr> </table> 		Ø10	M 090.09-20 SHB 10		Ø12	M 090.09-20 SHB 12	(Full flow) 	Ø10	M 090.09-20 SHF 10		Ø12	M 090.09-20 SHF 12
		Ø10	M 090.09-20 SHB 10											
		Ø12	M 090.09-20 SHB 12											
	(Full flow) 	Ø10	M 090.09-20 SHF 10											
		Ø12	M 090.09-20 SHF 12											
<p>Push to connect Steckschlauchanschluss</p> 	<table border="1"> <tr> <td></td> <td>Ø10</td> <td>M 090.09-20 SPB 10</td> </tr> <tr> <td></td> <td>Ø13</td> <td>M 090.09-20 SPB 13</td> </tr> <tr> <td>(Full flow) </td> <td>Ø10</td> <td>M 090.09-20 SPF 10</td> </tr> <tr> <td></td> <td>Ø13</td> <td>M 090.09-20 SPF 13</td> </tr> </table> 		Ø10	M 090.09-20 SPB 10		Ø13	M 090.09-20 SPB 13	(Full flow) 	Ø10	M 090.09-20 SPF 10		Ø13	M 090.09-20 SPF 13	
	Ø10	M 090.09-20 SPB 10												
	Ø13	M 090.09-20 SPB 13												
(Full flow) 	Ø10	M 090.09-20 SPF 10												
	Ø13	M 090.09-20 SPF 13												
<p>Female thread Innengewinde</p> 	<table border="1"> <tr> <td></td> <td>BSP 3/8</td> <td>M 090.09-20 SFB 17</td> </tr> <tr> <td></td> <td>NPT 3/8</td> <td>M 090.09-20 SNB 17</td> </tr> <tr> <td>(Full flow) </td> <td>BSP 3/8</td> <td>M 090.09-20 SFF 17</td> </tr> <tr> <td></td> <td>NPT 3/8</td> <td>M 090.09-20 SNF 17</td> </tr> </table> 		BSP 3/8	M 090.09-20 SFB 17		NPT 3/8	M 090.09-20 SNB 17	(Full flow) 	BSP 3/8	M 090.09-20 SFF 17		NPT 3/8	M 090.09-20 SNF 17	
	BSP 3/8	M 090.09-20 SFB 17												
	NPT 3/8	M 090.09-20 SNB 17												
(Full flow) 	BSP 3/8	M 090.09-20 SFF 17												
	NPT 3/8	M 090.09-20 SNF 17												
<p>Female thread collector Innengewinde Sammler</p> 	<table border="1"> <tr> <td></td> <td>BSP 1.1/4</td> <td>M 090.09-20 C 42</td> </tr> <tr> <td></td> <td>NPT 1.1/4</td> <td>M 090.09-20 CN 42</td> </tr> </table> 		BSP 1.1/4	M 090.09-20 C 42		NPT 1.1/4	M 090.09-20 CN 42							
	BSP 1.1/4	M 090.09-20 C 42												
	NPT 1.1/4	M 090.09-20 CN 42												
<p>TYPE K 090.09</p> <p>10 ← → 10</p>	<p>Mould side / Abnehmerseite</p> 	<p>Plate for 20 lines / Platte für 20 Anschlüsse</p> <p>Item code / Artikelnummer: K 090.09-20</p> 												

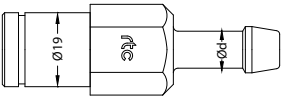


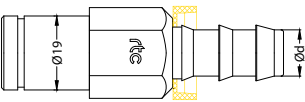


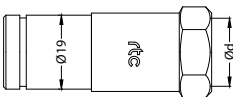


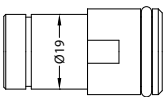

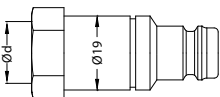
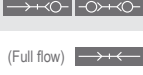

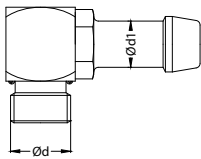
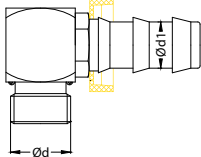
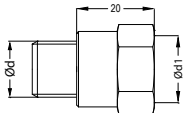
rtc TYPE M 090.09

Flow diameter 9 mm / Nennweite 9 mm

TYPE M 090.09	Mobile side / Versorgerseite	Item code / Artikelnummer	
<p>12 ↔ 12</p>		<p>Standard hose Schlauchanschluss</p>	 <p>Ø10 Ø12 Ø10 Ø12</p> <p>(Full flow)</p> <p>M 090.09-24 SHB 10 M 090.09-24 SHB 12 M 090.09-24 SHF 10 M 090.09-24 SHF 12</p> 
		<p>Push to connect Steckschlauchanschluss</p>	 <p>Ø10 Ø13 Ø10 Ø13</p> <p>(Full flow)</p> <p>M 090.09-24 SPB 10 M 090.09-24 SPB 13 M 090.09-24 SPF 10 M 090.09-24 SPF 13</p> 
		<p>Female thread Innengewinde</p>	 <p>BSP 3/8 NPT 3/8 BSP 3/8 NPT 3/8</p> <p>(Full flow)</p> <p>M 090.09-24 SFB 17 M 090.09-24 SNB 17 M 090.09-24 SFF 17 M 090.09-24 SNF 17</p> 
		<p>Female thread collector Innengewinde Sammler</p>	 <p>BSP 1-1/4 NPT 1-1/4</p> <p>M 090.09-24 C 42 M 090.09-24 CN 42</p> 
<p>TYPE K 090.09</p> <p>12 ↔ 12</p>	<p>Mould side / Abnehmerseite</p> 	<p>Plate for 24 lines / Platte für 24 Anschlüsse</p> <p>K 090.09-24</p> 	

Flow diameter 9 mm / Nennweite 9 mm

TYPE M 090.09 **rtc**

TYPE M 090.09	Sockets / Kupplungen	Connection / Anschluss	Item code / Artikelnummer	
	Standard hose Schlauchanschluss	 Ø10 Ø12 (Full flow)  Ø10 Ø12	M 090.09 SHB 10 M 090.09 SHB 12 M 090.09 SHF 10 M 090.09 SHF 12	
		Push to connect Steckschlauchanschluss	 Ø10 Ø13 (Full flow)  Ø10 Ø13	M 090.09 SPB 10 M 090.09 SPB 13 M 090.09 SPF 10 M 090.09 SPF 13
		Female thread Innengewinde	 BSP 3/8 NPT 3/8 (Full flow)  BSP 3/8 NPT 3/8	M 090.09 SFB 17 M 090.09 SNB 17 M 090.09 SFF 17 M 090.09 SNF 17
		For collector Für Sammler		M 090.09 SAB 00
TYPE M 090.09	Plugs / Nippel	Connection / Anschluss	Item code / Artikelnummer	
	Female thread Innengewinde	 BSP 3/8 NPT 3/8 (Full flow)  BSP 3/8 NPT 3/8	M 090.09 PFB 17 M 090.09 PNB 17 M 090.09 PFF 17 M 090.09 PNF 17	
TYPE M 090.09	Adapters elbow / Adapter Winkel	Connection / Anschluss	Item code / Artikelnummer	
	Standard hose Schlauchanschluss	BSP 3/8 → Ø10 Ø12 NPT 3/8 → Ø10 Ø12	EBH 17/10-90 EBH 17/12-90 EBH 17T/10-90 EBH 17T/12-90	
		Push to connect Steckschlauchanschluss	BSP 3/8 → Ø10 Ø13 NPT 3/8 → Ø10 Ø13	EBP 17/10-90 EBP 17/13-90 EBP 17T/10-90 EBP 17T/13-90
	TE 17-20 BSP 3/8" Male (Ød) - BSP 3/8" Female (Ød1) Extension BSP 3/8" Aussengewinde (Ød) - BSP 3/8" Innengewinde (Ød1) Verlängerung TE 17-17N-20 BSP 3/8" Male (Ød) - NPT 3/8" Female (Ød1) Extension BSP 3/8" Aussengewinde (Ød) - NPT 3/8" Innengewinde (Ød1) Verlängerung TE 17T-17N-20 NPT 3/8" Male (Ød) - NPT 3/8" Female (Ød1) Extension NPT 3/8" Aussengewinde (Ød) - NPT 3/8" Innengewinde (Ød1) Verlängerung			